



TFortis

Pole mount kit

KKC

Version 3

**Function**

TFortis pole mount kit (KKC) is designed for safe attachment of switches and cabinets to round and square poles according to the table below.

Modification	Parameters				
	To be used with	Enclosure dimensions (mm)	Diameter of round poles (mm)	Dimensions of square poles (mm)	Weight (kg)
Pole mount kit KKC-1	PSW-1G4F-Box	300x400	Ø 50-300	□ 70-180	1
	PSW-2G4F-Box				
	CrossBox1				
Pole mount kit KKC-2	PSW-2G+UPS-Box	400x500	Ø 50-300	□ 70-280	1,2
	PSW-2G6F+UPS-Box				
	PSW-2G8F+UPS-Box				
	CrossBox2				

Pole mount kit KKC-3	CrossBox3	600x600	Ø 50-300	□ 70-400	2
-------------------------	-----------	---------	----------	----------	---

## Description

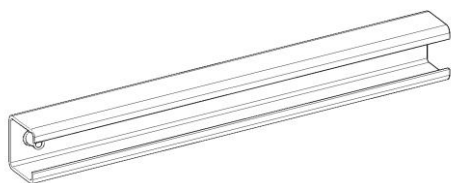
---

Parts of TFortis pole mount kit are made of galvanized steel sheet 2 mm thick.

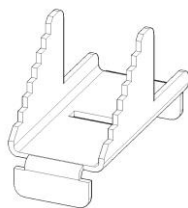
Acceptable static load is up to 30 kg.

## Supply scope

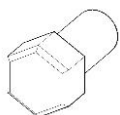
---



Rail – 2 pcs



Bracket – 4 pcs



Bolt M8x20 – 4 pcs (for Pole mount kit KKC-1 and Pole mount kit KKC-2)

The brackets are attached to the pole by means of a bandage (mounting) tape 20 mm wide and a tension device.

## Packaging and transportation

---

Packaging dimensions 310x100x40 mm.

Packaging dimensions 410x100x40 mm.

Packaging dimensions 575x100x40 mm.

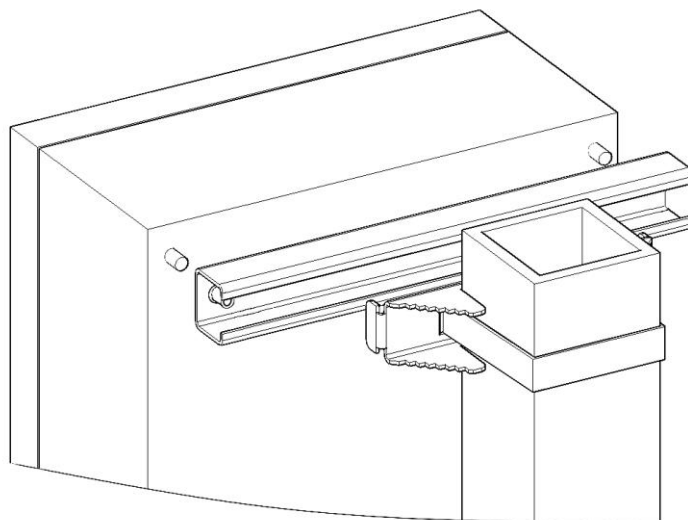
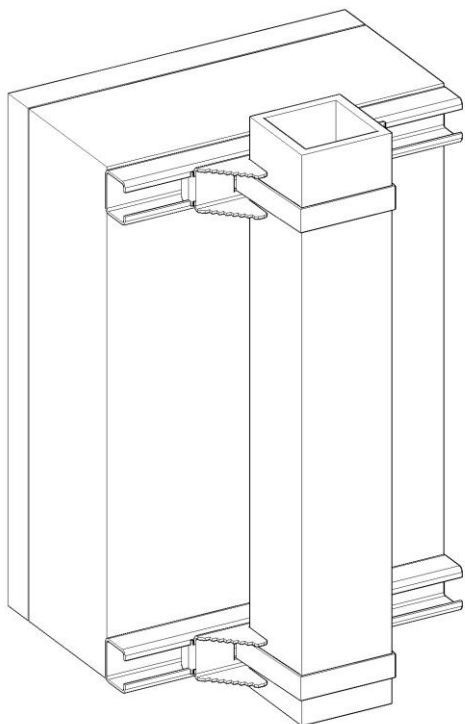
The packaged product may be transported by any covered vehicles in accordance with regulations accepted for these means of transport.

Storage and transportation conditions are as per Group 3 (unheated premises) in compliance with GOST 15150-69 standard.

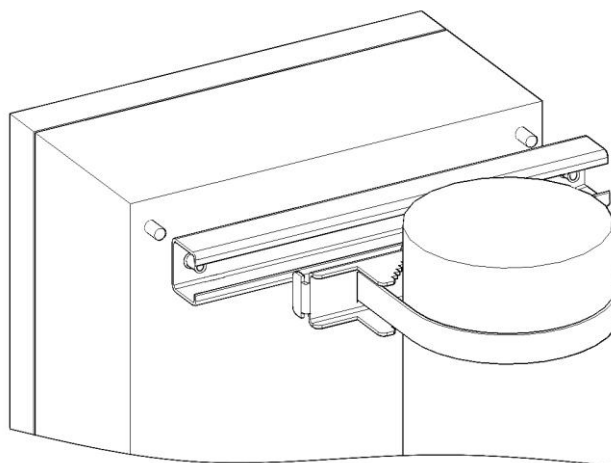
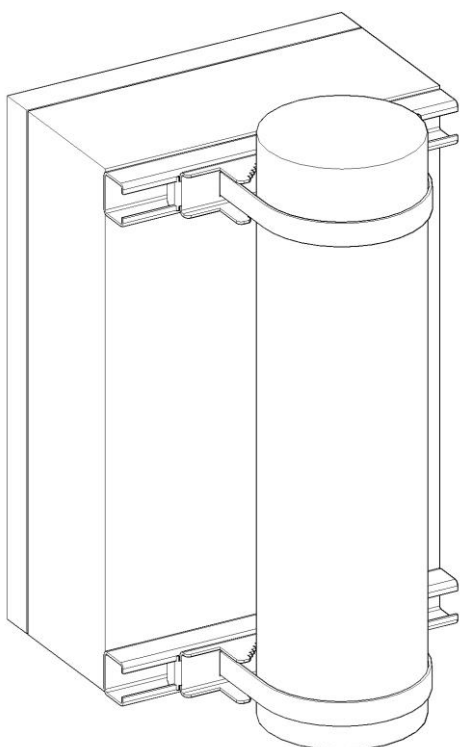
## Installation

---

Attachment to square pole.



Attachment to round pole.



# Acceptance certificate

TFortis pole mount kit has been manufactured in accordance with the design documentation and is ready for operation.

---

date, month, year

Pole mount kit 1	<input type="checkbox"/>
Pole mount kit 2	<input type="checkbox"/>
Pole mount kit 3	<input type="checkbox"/>