



TFortis

Product Certificate

TFortis-Hot
Pole mount kit
KKC-Hot

Version 1



Function

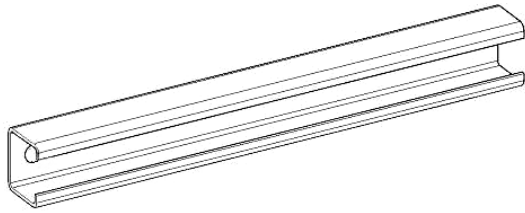
TFortis-Hot pole mount kit (KKC-Hot) is designed for safe attachment of PSW-2G+Hot and PSW-2G8F+Hot enclosures to round and square poles.

Description

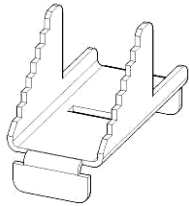
Parts of **TFortis-Hot pole mount kit** are made of galvanized steel sheet 2 mm thick.

Acceptable static load is up to 20 kg.

Supply scope



Rail – 2 pcs



Bracket – 4 pcs

The brackets are attached to the pole by means of a bandage (mounting) tape 20 mm wide and a tension device.

Packaging and transportation

Packaging dimensions 310x100x40 mm.

The packaged product may be transported by any covered vehicles in accordance with regulations accepted for these means of transport.

Storage and transportation conditions are as per Group 3 (unheated premises) in compliance with GOST 15150-69 standard.

Installation

TFortis-Hot pole mount kit is used to mount switches on round (with a diameter of 50-150 mm) and square (70-125 mm along the side adjacent to the switch) poles.

To fasten TFortis-Hot pole mount kit to the switch, remove screws of the lower housing, install the shaped bar and secure it with these screws (Fig. 1). Then install the brackets.

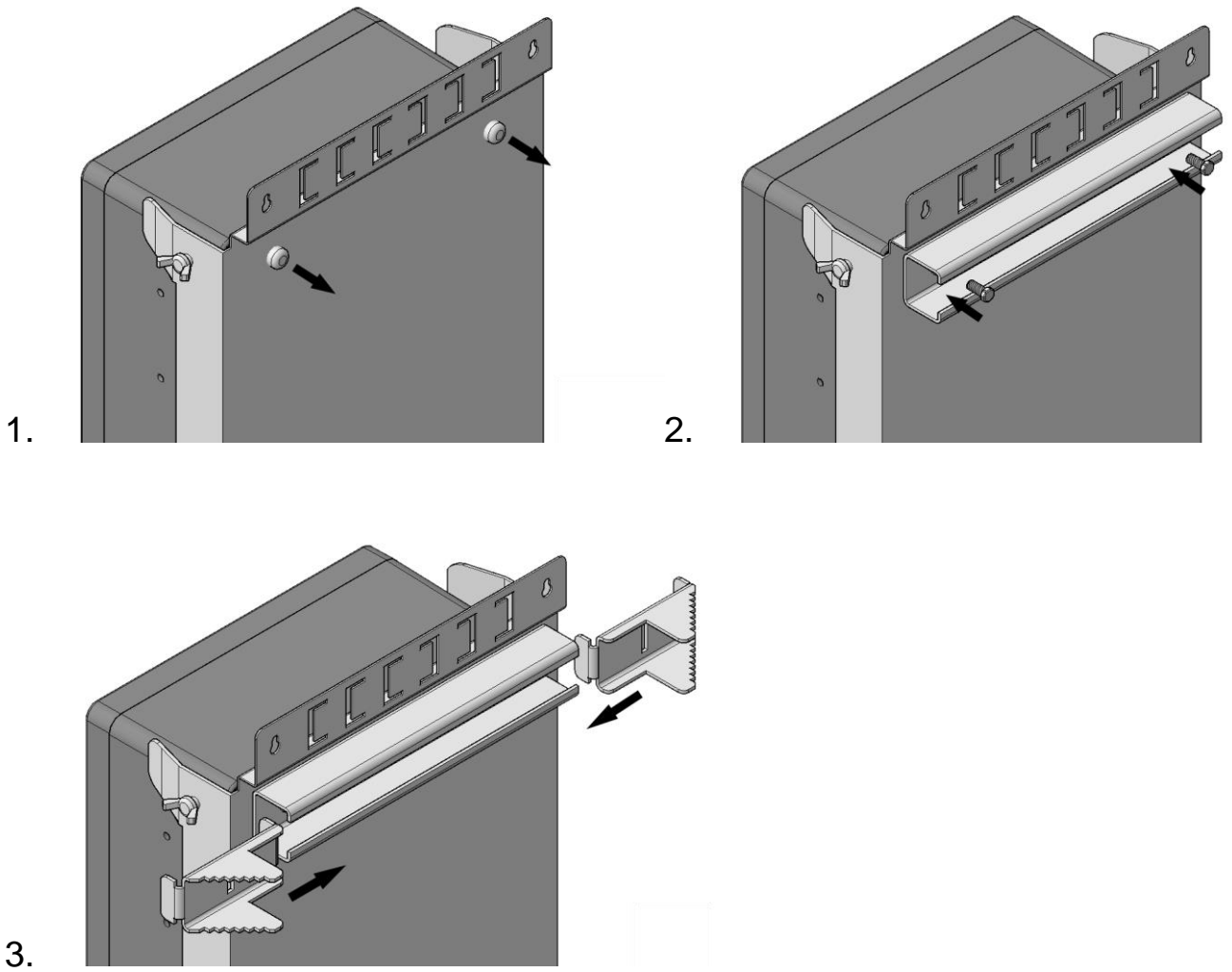


Fig. 1 Fastening of TFortis-Hot pole mount kit to the switch enclosure.

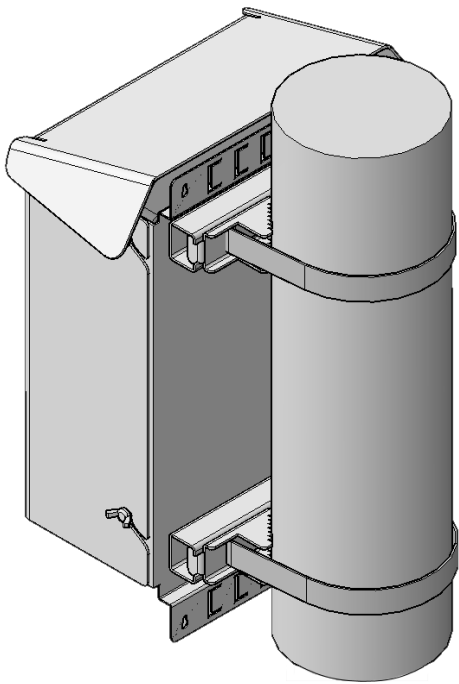


Fig. 2 Attachment to round pole

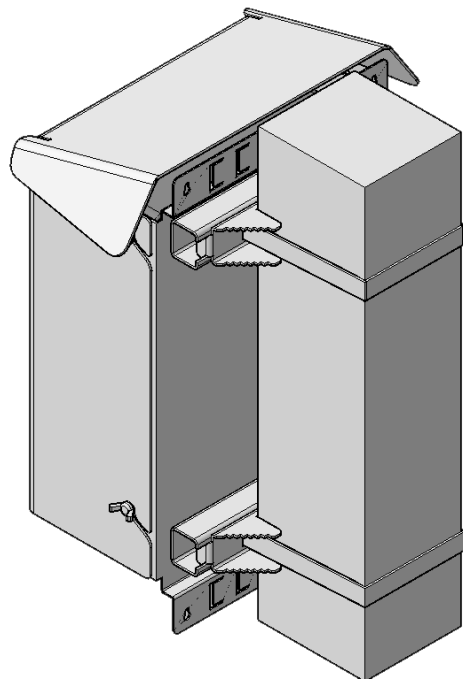


Fig. 3 Attachment to square pole

Acceptance certificate

TFortis-Hot pole mount kit has been manufactured in accordance with the design documentation and is ready for operation.

date, month, year